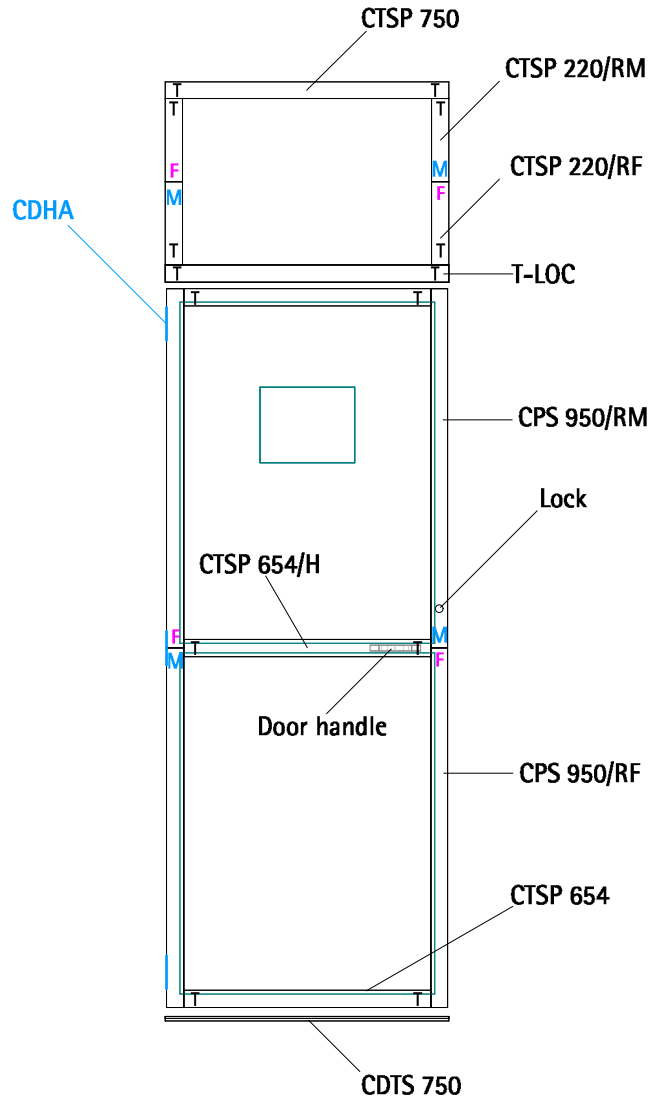


Graphic specification:

- 1x rigid panel (up to 7mm thick) for upper door panel = 674mmW x 902mmH (finished print/cut size)
654mmW x 882mmH (visible graphic area)
- 1x rigid panel (up to 7mm thick) for lower door panel = 674mmW x 902mmH (finished print/cut size)
654mmW x 882mmH (visible graphic area)
- 1x rigid panel (up to 7mm thick) for height extension panel = 674mmW x 456mmH (finished print/cut size)
654mmW x 440mmH (visible graphic area)



Component reference code	Component description	Quantity
CPS 950/RF	Straight Female profile - 950mm (no steel tape)	2
CPS 950/RM	Straight Male profile - 950mm (no steel tape)	2
CTSP 654	Straight T-Loc profile - 654mm (no steel tape)	2
CTSP 654/H	Straight T-Loc profile - 654mm with door handle	1
CTSP 750	Straight T- Loc profile - 750mm (no steel tape)	2
CTSP 220/RF	Straight T-Loc profile - 220mm female (no steel tape)	2
CTSP 220/RM	Straight T-Loc profile - 220mm male (no steel tape)	2
CDTS 750	Centro Door Threshold Set c/w corner brackets & foot pad	2
CDHA	Centro Door Hinge Assembly with 50mm connector bar & screws	3

KIT REFERENCE: **CTDK/75/2500h**

DRAWN BY: **A.Pearson**

DESCRIPTION: **Centro Door Frame Kit - 2500h (T-Loc)**

DATE: **2019**

SCALE: **1:20**