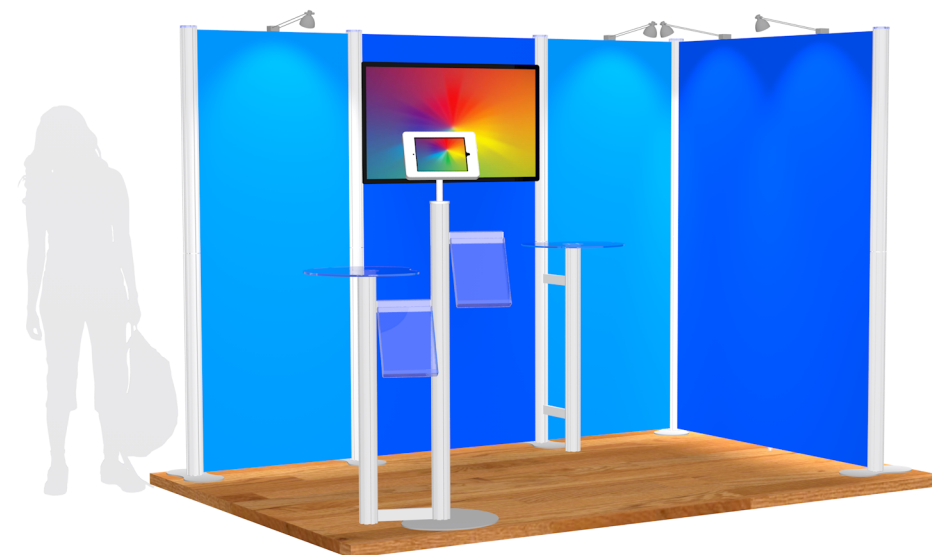
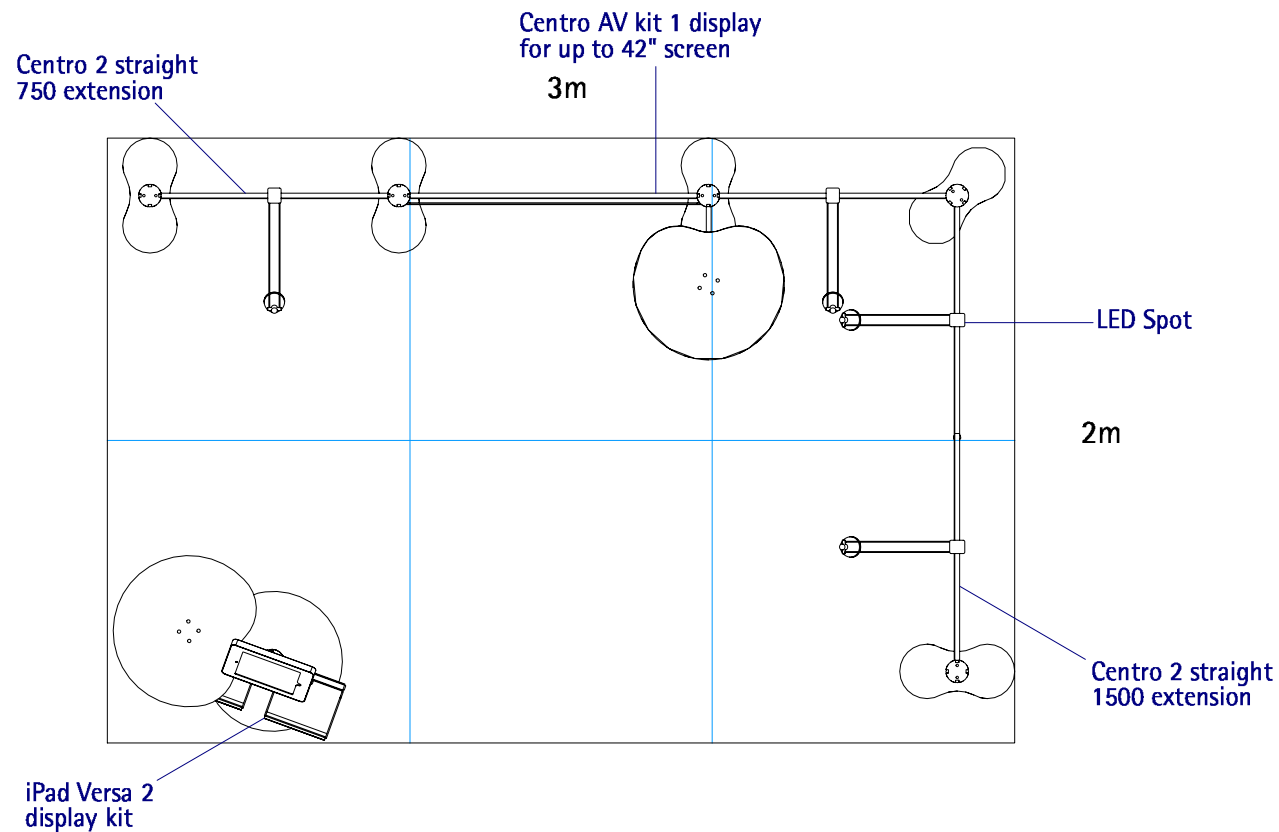


C3x2/2b - 2mH

Scale 1:25



- Magnetic graphic panel dimensions (finished print/cut size and visible graphic area):
- 1 panel (with aperture for screen mount) @ 950mmW x 1990mmH
 - 4 panels @ 750mmW x 1990mmH each