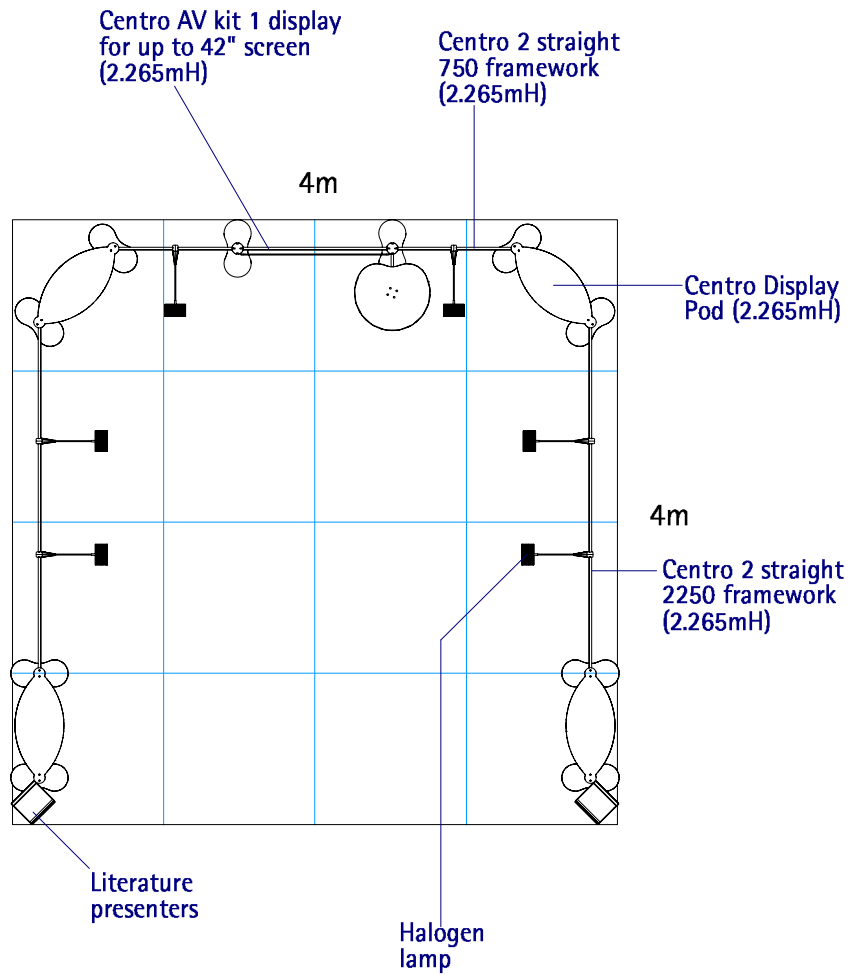


C4x4/1a - 2.265mH

Scale 1:50



Magnetic graphic panel dimensions (finished print/cut size and visible graphic area):

- 1 panel (with aperture for screen mount) @ 950mmW x 2255mmH
- 8 panels @ 750mmW x 2255mmH each

3mm thick rigid panel dimensions for Showcase display:

- 6 panels (header promotional panel) @
715mmW x 465mmH each (finished print/cut size)
700mmW x 465mmH each (visible graphic area)
- 6 panels (lower promotional panel) @
715mmW x 300mmH each (finished print/cut size)
700mmW x 300mmH each (visible graphic area)

