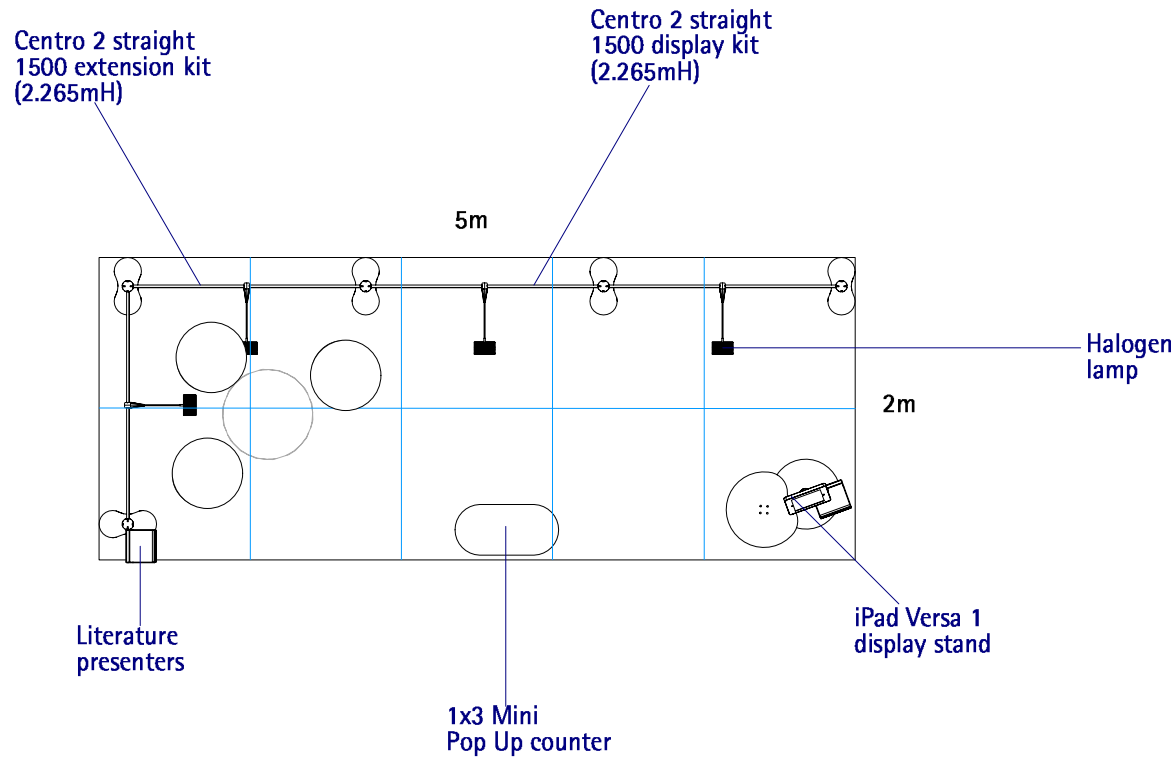


C5x2/2a - 2.265mH

Scale 1:50



Magnetic graphic panel dimensions (finished print/cut size and visible graphic area):

- 8 panels @ 750mmW x 2255mmH each
- 1 panel (counter) @ 1329mmW x 1000mmH

5mm thick rigid panel dimensions:

- 1 panel (Versa 1) @ 220mmW x 900mmH